

IN-LINE PINPOINT CARBONATOR PPC

ECONOMIC AND RELIABLE CARBONATION

The Pinpoint Carbonator is primarily designed and suited for carbonation of beer, water, soda, wine, and other qualifying liquids but also used for nitrogen injection and wort aeration. The product portfolio has a full range of available capacities (see technical specification). Smallest, model 1 inch (Size 25), ideally suited for craft breweries, microbreweries, small wineries and other small operations with low flow applications.

The Pinpoint Carbonator is designed for highest CO₂ saturation, and intimate gas-to-liquid bonding with micro-pore, stainless steel injector plates dispersing very fine, 5 – 9 micron size bubbles. The injector plates in the Pinpoint Carbonator are micro porous and feature large contact on both sides.

BENEFITS

- **Designed for highest CO₂ saturation**
- **The product portfolio has a full range of available capacities**
- **Simple in-line installation, in either vertical or horizontal line runs.**
- **Stainless steel construction**
- **Fully suited for CIP cleaning (solutioning-in-line) or cleaning by use of a ball brush when unit removed from line and replaced with a spool piece.**
- **Easy access to internal components (porous discs and check valves)**
- **Lowest pressure drop of any in-line or similar carbonating device**



IN-LINE PINPOINT CARBONATOR PPC

FUNCTIONAL PRINCIPLE

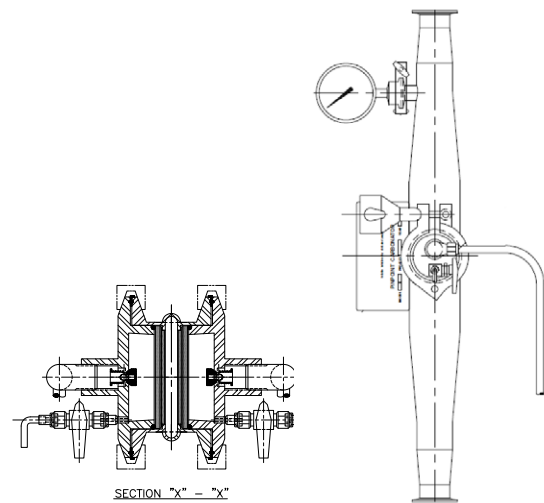
Beer passes across the plates as a thin liquid film, immediately receiving full CO₂ saturation even at the lowest possible flow rate. The foam head remains stable over long time periods; when the head does recede, CO₂ saturation continues to hold at a high level. The immediate saturation and improved bonding provided by pinpoint carbonation reduce foaming during the transfer of beer from Ruh to storage and greatly reduce the beer's air content.

SCOPE OF SUPPLY

- Pin Point Carbonator
- Pressure gauge for liquid
- Pressure gauge for CO₂ gas
- Manifold for CO₂ supply with adjusting valves
- Check valve
- Drain valve

APPLICATIONS

- Beer, water, soda, wine
- Other qualifying liquids
- Nitrogen injection and wort aeration



TECHNICAL SPECIFICATIONS

Size Inch	Max. capacity bbls/hr	Max. capacity gpm	Height Inch	Width Inch	Weight lbs.
1"	25	13	19½"		15
2"	110	57	27¾"	29½"	40
3"	350	181	34⅞"	36½"	50
4"	550	284	41¼"	42"	62
5"	820	424	48⅞"	49¼"	75
6"	1200	620	59"	60"	90

LEARN MORE

Interested in an inquiry or more information:

Click or **scan** our QR code to contact us

or **visit** us at FOODANDBEVERAGE.PENTAIR.COM



RIESBÜRG
INDUSTRIESTR. 7
73469 RIESBÜRG
GERMANY

DAYTONA BEACH
2361 MASON AVE
DAYTONA BEACH, FL 32117
USA

VENLO
MARINUS DAMMEWEG 30
5928 PW, VENLO
THE NETHERLANDS

FREDERICIA
SNAREMOSEVEJ 27
7000 FREDERICIA
DENMARK

All Pentair trademarks and logos are owned by Pentair. All other brand or product names are trademarks or registered marks of their respective owners. Because we are continuously improving our products and services, Pentair reserves the right to change specifications without prior notice. Pentair is an equal opportunity employer.
PPC_2036_en © 2020 All Rights Reserved.

